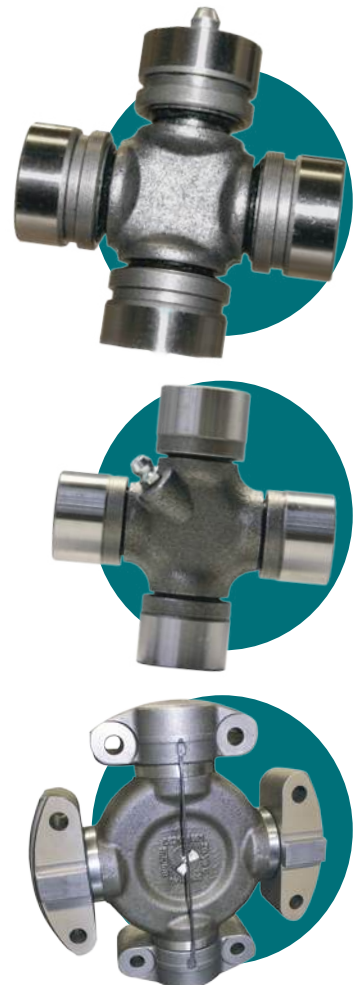
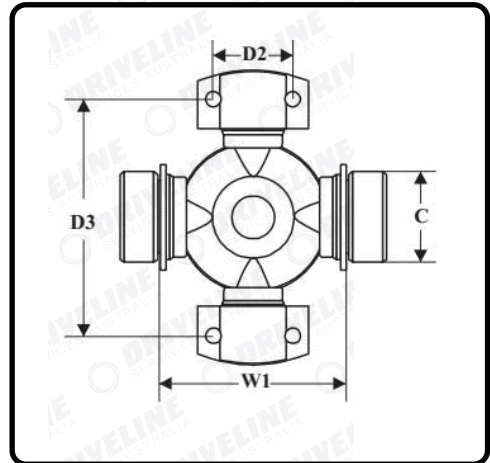
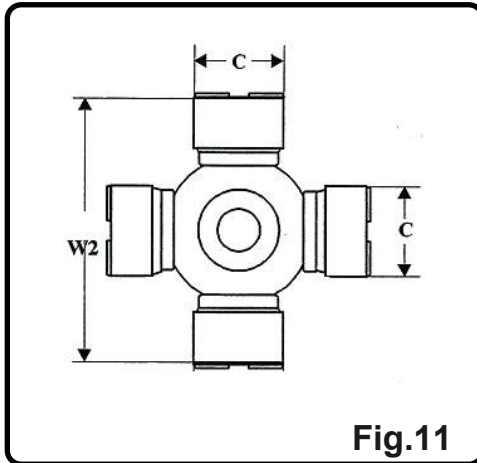
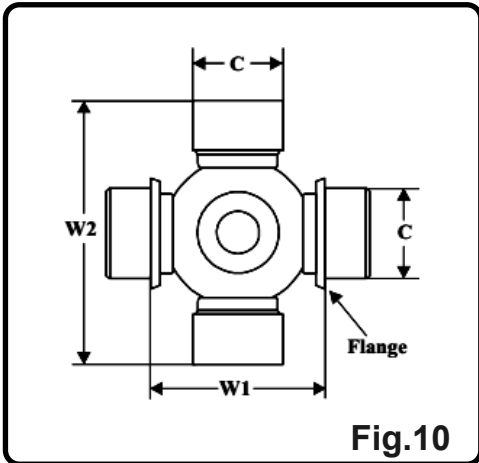
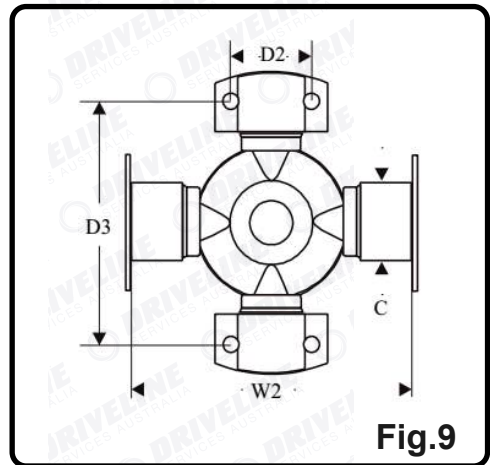
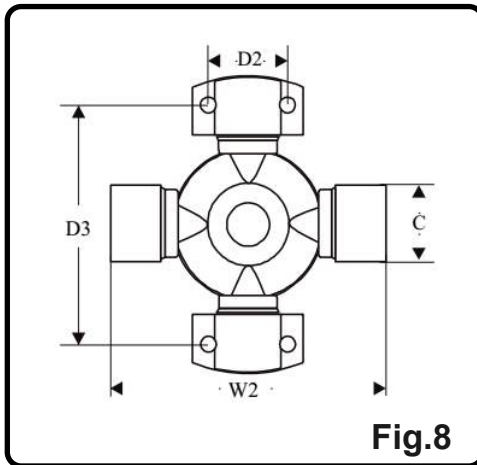
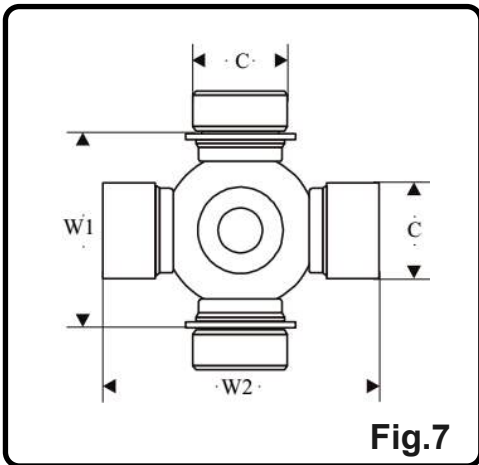
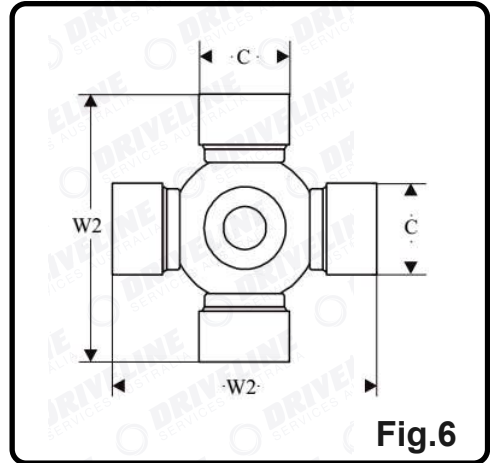
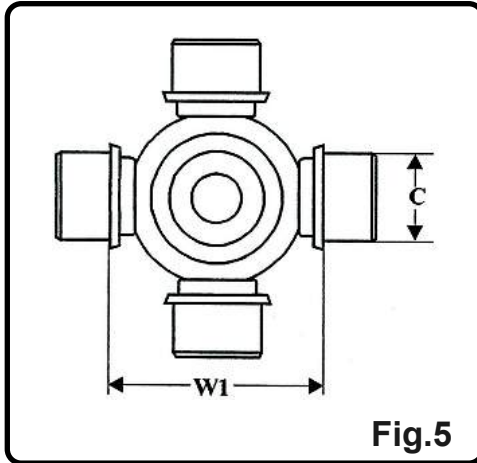
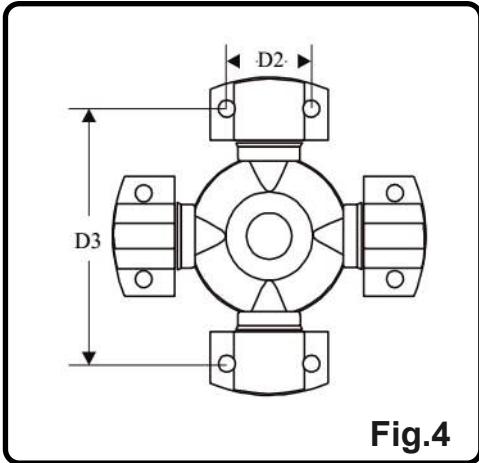
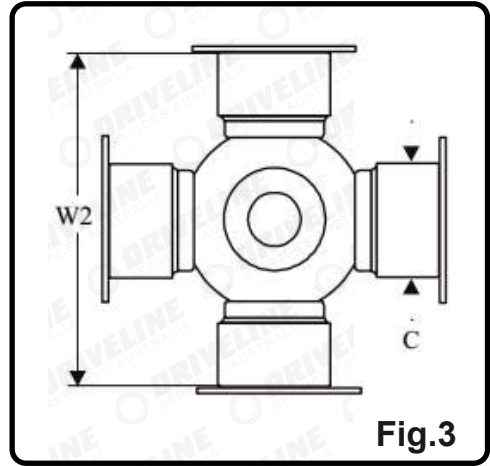
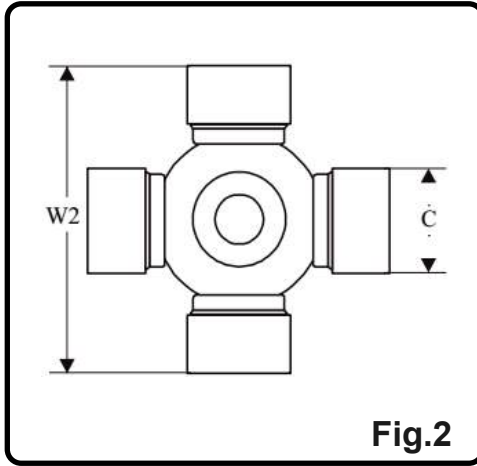
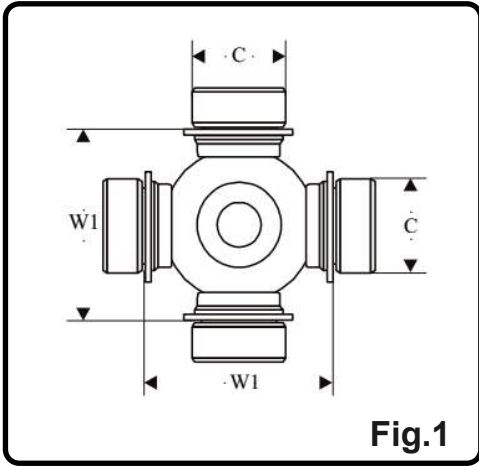


UNIVERSAL JOINT DIMENSIONS CATALOGUE

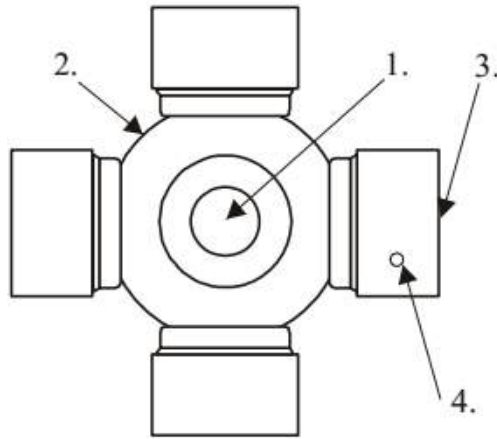
branches BRISBANE
BROKEN HILL
DUBBO
MACKAY
MELBOURNE
NEWCASTLE
PERTH
SYDNEY
TOWNSVILLE
TASMANIA



UNIVERSAL JOINT TYPES

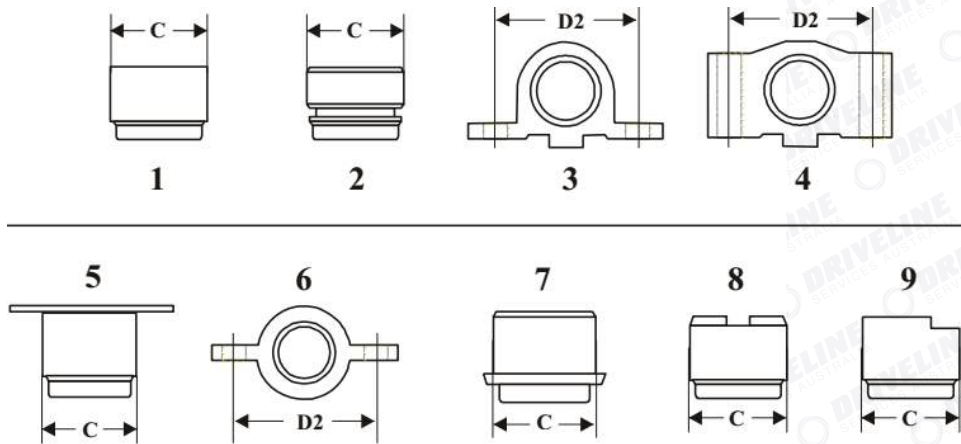


Uni Lubrication Points



Note: Lubrication points are listed as guide only. This position can alter between joint manufacturers.

T = Tapped | D = Drilled & C/Bore



Solid Cross high-performance Greaseable Universal Joints



Incorporating Teflon Thrust Pads to eliminate End Float. Identifiable by the "R" at the end of the following Series Part Numbers 17R, 21R, & 25R.

Part #	From Series	To Series	From Part	To Part	Notes
5.430X	1000	L6N	5.170X	114.1004	
5.248X	1210	17R	5.443X	RUJ1786	
RUJ2032	1310	2R	K5.13XR	RUJ2030	
K5A522.13XR	1310	Daihatsu	K5.13XR	K5A522	
RUJ2028.13XR	1310	Nissan	K5.13XR	RUJ2028	Use K5A522.13XR supplied with extra clips.
RUJ2039	1310	Ford 9"	K5.13XR	1310/9"	
RUJ2502	1310	25R			NLA
5.150X	1310	3R	K5.13XR	114.3105	SOME MANUFACTURES ALSO FORD 9"
401009	1310	7290	K5.13XR	114.232	
RUJ2100.13XR	1310	Toyota	K5.13XR	RUJ2100	
RUJ2033.13XR	1310	ISUZU	K5.13XR	RUJ2033	Use RUJ2100.13XR supplied with extra clips.
RUJ2023.13XR	1310	Mazda	K5.13XR	RUJ2023	
5.134X	1310	1330	K5.13XR	RUJ3002	
5.460X	1310	1350	K5.13XR	5.178X	
114.596	1330	3R	RUJ3002	114.3105	
5.355X	1330	7290	RUJ3002	114.232	
RUJ3000	1330	Ford 9"	RUJ3002		
K5A537	1330	1350	RUJ3002	5.178X	
K5A541	1350	Ford 9"	5.178X		
5.357X	1410	Dodge	K5GB10R	RUJ4007	
902023	1480	Isuzu	5.188X	K5A567	
RUJ2028.7260	21R	Nissan	RUJ2038	RUJ2028	
RUJ2029	21R	1310/9"	RUJ2038	1310/9"	
405002	21R	7290	RUJ2038	114.232	
RUJ2500	25R	Ford 9"	RUJ2500		Check End Caps have been ground to suit 9"
RUJ2034	2R	25R	RUJ2030	RUJ2500	Some manufacturers also suits Ford 9".
405001	3R	7290	114.3105	114.232	

DIA (C)	INT (W1)	EXT (W2)	Wing Type		Caps			Part #	Lube Type	Notes
			(D2)	(D3)	Q	T	F			
14.00		36.00			4	1	2	802037	1	ELBE 204
15.00		39.00			4	1	2	902001	NON	STAKED STEERING
15.00		40.00			4	1	2	902032	NON	SATKED STEERING NON LUBE
15.00		41.00			4	1	2	902033	1	DIN U.JOINT
15.00		40.20			4	1	2	902058	NON	WILLI ELBE 058
15.00		38.00			4	1	2	902077	NON	STAKED STEERING JOINT NON LUBE
15.00		40.20			4	1	2	K5A706	1	GWB 473.10
16.00		39.00			4	1	2	902002	NON	STAKED STEERING
16.00		40.00			4	1	2	902020	NON	STAKED
16.00		38.00			4	1	2	902036	NON	STAKED STEERING NON LUBE
16.00	24.50				4	2	1	902035	NON	KAWASAKI SERVICE FREE
16.00	27.00				4	2	1	902044	3	KAWASAKI - USE OLD CLIPS
17.00		41.00			4	1	2	802024	1	ELBE 105
17.00		41.00			4	1	2	802074	3	DIN U.JOINT
17.00		42.00			4	1	2	K5A603	1	GWB 173.10
18.00		47.00			4	1	2	K5A587	1	WALTERSCHEID P.T.O.
19.00		44.40			4	1	2	901023	NON	STAKED BMW / HONDA MOTORCYCLE
19.00		44.00			4	1	2	902025	NON	STAKED STEERING SUZUKI
19.00		44.00			4	1	2	902037	2	STEERING LUBE TYPE
19.00		48.00			4	1	2	U901	1	373.20 G.W.B. / ELBE 106
19.00		48.00			4	1	2	U901S	NON	STAKED STEERING

DIA (C)	INT (W1)	EXT (W2)	Wing Type		Caps			Part #	Lube Type	Notes
			(D2)	(D3)	Q	T	F			
19.05		52.00			4	1	2	K5A546	1	0500 SERIES
20.00		44.20			4	1	2	802001	1	MOTO GUZZI
20.00		52.40			4	1	2	902004	NON	STAKED - NISSAN
20.00		44.70			4	1	2	902014	NON	KUBOTA
20.00		50.00			4	1	2	902038	1	MOWER
20.00		55.00			4	1	2	K5A510	3	MAZDA
20.00		57.00			4	1	2	K5A517	3	TOYOTA
20.00		57.50			4	1	2	K5A549	1	M.D.P. - JAPANESE P.T.O.
20.00		58.00			4	1	2	K5A661	1	HINO
20.00	29.00				4	2	1	901016		KAWASAKI USE OLD CLIPS
20.00	29.80				4	2	1	901001	1	JAPANESE P.T.O.
20.00	37.00				4	2	1	901017	3	YAMAHA/KUBOTA
20.00	38.00				4	2	1	901018	NON	MOWER U.JOINT SERVICE FREE
20.00	38.10				4	2	1	RUJ1780		NISSAN
20.00	40.00				4	2	1	901004	3	TOYOTA T.C.M.
20.07		59.80			4	1	2	902005	NON	STAKED - SUZUKI STEERING
20.50		56.50			4	1	2	K5A551	1	U.D. STEERING
22.00		49.00			4	1	2	802002	1	MOTO GUZZI
22.00		50.20			4	1	2	802003	1	MOTO GUZZI
22.00		58.00			4	1	2	802004	1	ELBE 107
22.00		52.00			4	1	2	802047	NON	STAKED - REPL: VOLVO
22.00		76.00			2	1	2	802067	1	WALTERSCHEID W2280 WIDE ANGLE
24.00		61.00			2	1	6			
22.00		64.00			4	1	2	902006	NON	STAKED

DIA (C)	INT (W1)	EXT (W2)	Wing Type		Caps			Part #	Lube Type	Notes
			(D2)	(D3)	Q	T	F			
22.00		67.00			4	1	2	902007	NON	STAKED
22.00		57.50			4	1	2	902021	NON	STAKED - TOYOTA
22.00		60.00			4	1	2	902029	1	JAPANESE P.T.O
22.00		55.64			4	1	2	902039	1	
22.00		62.00			4	1	2	K5A553	1	JAPANESE P.T.O
22.00		65.00			4	1	2	K5A554	NON	HONDA
22.00		54.00			4	1	2	K5A588	1	BYPY P.T.O.
22.00		55.00			4	1	2	K5A589	1	WALTERSCHEID P.T.O.
22.00		58.90			4	1	2	U166	1	473.30 SERIES G.W.B.
22.00	35.10				4	2	1	901020	NON	KAWASAKI MOTORCYCLE
22.00	35.50				4	2	1	404002	3	STAKED - REPL: TOY, NISSAN
22.00	37.50				4	2	1	901019	NON	TCM SERVICE FREE
22.00	38.50				4	2	1	401005	2	STAKED - REPL: MAZDA
22.00	39.60				4	2	1	RUJ1506	3	FORKLIFT
22.00	40.00				4	2	1	RUJ1501	3	TCM
22.06		61.70			4	1	2	902078	Non	STAKED MAZDA
22.06		61.80			4	1	2	U196	NON	STAKED - WASHER TYPE
22.22		61.93			4	1	2	CPL10N	3	
22.50	37.50				4	2	1	RUJ1503	3	DIAHATSU
22.50	37.65				4	2	1	RUJ1500	3	MAZDA
23.00		58.20			4	1	2	U160	1	
23.00	44.60				4	2	1	901021	NON	SUBARU SERVICE FREE
23.00	49.00				4	2	1	RUJ1797	NON	SUBARU

DIA (C)	INT (W1)	EXT (W2)	Wing Type		Caps			Part #	Lube Type	Notes
			(D2)	(D3)	Q	T	F			
23.80		86.00			4	1	2	802063	1	BYPY 4 SERIES W / ANGLE
23.80		65.80			4	1	2	902008	1	STEERING - REPL: HINO
23.80		61.20			4	1	2	K5A64	1	1140 SERIES P.T.O.
23.80		62.60			4	1	2	K5A809	NON	B300/403 ELBE AXLE JOINT
23.80		61.20			4	1	2	K5LGB80R	2	SPICER 1140 SERIES - OTHER OPTIONS AVAILABLE
23.80	37.70				4	2	1	0675X	1	USE 5.170X
23.80	37.70				2	2	1	06L6S	1	USE 5.430X
24.60	36.80				2	2				
23.80	38.10				4	2	1	5.170X	1	1000 SERIES P.T.O.
23.80	38.10				2	2	1	5.430X	1	1000 SERIES PO TO L6N SERIES PTO
24.60	36.80				2	2				
23.82		62.40			4	1	2	U173	NON	DIN SERVICE FREE
24.00		91.00			2	1	6	802068	1	WIDE ANGLE WALTERSCHEID W2380
27.00		75.00			2	1				
24.00		62.50			4	1	2	902009	NON	STAKED BMW / VW
24.00		74.50			4	1	2	902010	NON	STAKED MERCEDES BMW
24.00		78.00			4	1	2	902011	NON	STAKED FORD / HOLDEN
24.00		63.50			4	1	2	902043	NON	STAKED
24.00		88.00			4	1	2	902047	NON	STAKED MERCEDES
24.00		63.30			4	1	2	K5A532	NON	ALFA ROMEO - LUBE THRU CAP ALSO AVAILABLE (.1A)
24.00	34.34				4	2	1	802075	3	OPEL
24.00	40.00				4	2	1	802076		TAURUS
24.00	48.00				4	2	1	404003	2	STAKED - REPL: MAZDA
24.05	48.26				4	2	1	902048		STAKED REPLACEMENT
24.06		71.40			4	1	2	902049	NON	STAKED MAZDA
24.60	36.80				4	2	1	114.1004	1	L6N SERIES P.T.O. / 1AG

DIA (C)	INT (W1)	EXT (W2)	Wing Type		Caps			Part #	Lube Type	Notes
			(D2)	(D3)	Q	T	F			
24.60	42.87				4	2	1	114.1501		CATERPILLAR
24.70	41.70				4	2	1	401006	3	STAKED - REPL: NISSAN
24.90		72.10			4	1	2	902079	1	EUROPEAN AGRICULTURAL
25.00		63.90			4	1	2	902018	NON	SUZUKI
25.00		77.60			4	1	2	902052	NON	NISSAN SERVICE FREE
25.00		64.00			4	1	2	K5A557		HONDA
25.00		77.00			4	1	2	K5A558	1	P.T.O.
25.00		77.80			4	1	2	K5A559	2	MITSUBISHI
25.00		63.80			4	1	2	RUJ1783	3	MAZDA (K5A556) / MITSUBISHI
25.00		76.50			4	1	2	RUJ2045	NON	MITSUBISHI SOME SUPPLIER LUBE IN CAP
25.00	42.90				4	2	1	RUJ1795	3	SUZUKI
25.00	43.60				4	2	1	RUJ1784	3	MAZDA
25.00	44.00				4	2	1	RUJ1781	3	NISSAN, SUBARU
25.00	56.00				4	2	1	RUJ2040	2	NISSAN
25.00	58.70				4	2	1	901005	1	TOYOTA T.C.M.
25.40		86.00			4	1	2	902024	1	KATO CRANE
25.40	38.83				4	2	1	902053	3	OPEL
25.40	43.64				2	2	7	5.248X	1	17R SERIES MECHANICS TO 1210 SERIES SPICER
26.99		61.93			2	1				
25.40	43.64		33.34	52.78	2	2	12	RUJ1758		EARLY HOLDEN
25.40	43.64		33.34	44.86	2	2	12	RUJ1764	3	17R SERIES MECHANICS TO 17C SERIES MECHANICS
25.40	43.64				4	2	1	RUJ1786R	NON	17R SERIES - W/- THRUST PADS
25.40	46.80				4	2	1	401001	1	BENBOW P.T.O. / 2AG
25.40	59.44		33.34	59.53	2	2	12	114.2032		2R TO 2C TORQUE TUBE CHEV 1940-54

DIA (C)	INT (W1)	EXT (W2)	Wing Type		Caps			Part #	Lube Type	Notes
			(D2)	(D3)	Q	T	F			
25.40	59.44				4	2	1	114.2101	2	2R SERIES MECHANICS
25.40	59.44		33.34	59.44	2	2	12	114.2111.1A	3	2R SERIES MECHANICS TO 2C SERIES MECHANICS
25.40	59.44		33.34	59.44	2	2	12	114.2114.1A	3	2R SERIES MECHANICS TO 2C SERIES MECHANICS
25.40	59.44		36.52	69.85	2	2	12	114.2198	NON	2R SERIES MECHANICS TO 3C SERIES MECHANICS
25.40	59.44				4	2	1	RUJ2030	NON	2R SERIES MECHANICS
25.40	59.44				4	2	1	RUJ2030R	NON	2R SERIES - W/- THRUST PADS
25.40 26.99	59.44	81.76			2 2	2 1	7	RUJ2032	2	2R MECHANICS SERIES TO 1310 SERIES SPICER
25.40 28.58	59.44	81.76			2 2	2 1	7	RUJ2034F	2	2R - FORD 9" (WILL NOT SUIT 25R)
25.40 28.58	59.44 59.44				2 2	2 2	1	RUJ2009	2	USE RUJ2034
25.40 28.58	59.44 59.44	81.76			2 2	2 2	7	RUJ2034	2	2R SERIES MECHANICS TO 25R SERIES MECH.
26.00		68.00			4	1	2	902054	3	MINISUBISHI
26.00		72.00			4	1	2	902055	1	
26.00		69.80			4	1	2	U741	1	287.00 SERIES G.W.B. - LUBE THRU CAP ALSO AVAILABLE (.1A)
26.00	46.60				4	2	1	RUJ1776	NON	TOYOTA
26.00	55.96				4	2	1	RUJ2016	2	TOYOTA
26.01	47.70				4	2	1	801003	1	MERCEDES
26.50	50.40				4	2	1	RUJ2049	NON	MAZDA E2200
26.99 26.99		81.76 92.08			2 2	1 1	6	5.134X	2	1310 SERIES SPICER TO 1330 SERIES SPICER
26.99		81.76	33.34	59.53	2 2	1 3T	8	5.291X	2&3	1310 SERIES SPICER TO 2C SERIES MECHANICS
26.99		81.76	36.52	69.85	2 2	1 3T	8	5.356X	2	1310 SERIES SPICER TO 3C SERIES MECHANICS
26.99		81.76			4	1	2	5.433.1X	3	1310 SERIES SPICER GREASE NIPPLE IN 1X CAP
26.99		61.93			4	1	2	5.443X	2	SPICER 1210 SERIES
26.99 30.16		81.76 92.08			2 2	1 1	6	5.460X	2	1310 SERIES SPICER TO 1350 SERIES SPICER

DIA (C)	INT (W1)	EXT (W2)	Wing Type		Caps			Part #	Lube Type	Notes
			(D2)	(D3)	Q	T	F			
26.99		81.76			4	1	2	5.625X	NON	1310 SERIES SPICER HEAVY DUTY WITH SOLID CROSS
26.99		81.76			2	1	2	5.632X	NON	1310/9" SOLID CROSS
28.58		81.76			2	1	2			
26.99		92.08			2	1	2	5.633X	NON	1330/9" SOLID CROSS
28.58		92.08			2	1	2			
26.99		92.08			4	1	2	5.790X	NON	SPICER 1330 SOLID CROSS GENUINE
26.99		60.30			4	1	2	902056	3	CITROEN
26.99		81.76			4	1	2	K5.13XR	2	1310/SPL22
26.99		81.76			4	1	2	K5A13XR	1	1310 SERIES P.T.O.
26.99		92.08			2	1	2	K5A537	2	1330 SERIES SPICER TO 1350 SERIES SPICER
30.16		92.08			2	1	2			
26.99		74.64			4	1	2	K5GB31R	NON	CITREON WITH HOLE THRU CROSS
26.99		74.61			4	1	2	K5GB35	NON	1300 SERIES - AXLE: NO SEALS
26.99		74.61			4	1	2	K5L4R	2	SPICER 1300 SERIES
26.99		74.61			4	1	2	K5LGB36R	1	1300 SERIES P.T.O. / 4AG
26.99		92.08			2	2	2	RUJ3000	2	1330 SERIES SPICER TO 9" FORD DIFF. OTHER LUBE OPTIONS AVAILABLE
28.58		92.08			2	1	2			
26.99		92.08			4	1	2	RUJ3002	2	1330/SPL25
26.99		81.76			2	1	7	RUJ2100.13XR	3	1310 TO TOYOTA / ISUZU EXTRA CIRCLIPS INCLUDED
29.00	52.00				2	2	7			
26.99		81.76			2	1	7	RUJ2033.13XR	3	USE RUJ2100.13XR
29.00	53.10				2	2	7			
26.99		81.76			2	1	7	114.2531	1	1310 SERIES SPICER TO 2.5R SERIES - AMERICAN
28.58	54.00				2	2	7			
26.99		81.76			2	1	7	K5A530	2	1310 SERIES SPICER TO 21R SERIES MECHANICS HD SOLID CROSS VERSION ALSO AVAILABLE
27.38	54.00				2	2	7			
26.99		81.76			2	1	7	K5A522.13XR	2	1310 SERIES SPICER TO DAIHATSU / NISSAN EXTRA CIRCLIPS INCLUDED
28.00	55.96	80.00			2	1	2			
26.99		81.76			2	1	1	RUJ2028.13XR	2	USE K5A522.13XR
28.00	55.96				2	2	7			
26.99		81.76			2	1	7	RUJ2023.13XR	2	MAZDA - 1310
28.00	59.10				2	2	7			
26.99		81.76			2	2	7	RUJ2039	2	1310 SERIES SPICER TO 9" FORD DIFF. (1310 - 25R)
28.58	59.44	81.76			2	1	7			
26.99		81.76			2	1	7	RUJ2502	2	USE RUJ2039
28.58	59.44	81.76			2	2	7			

DIA (C)	INT (W1)	EXT (W2)	Wing Type		Caps			Part #	Lube Type	Notes
			(D2)	(D3)	Q	T	F			
26.99 28.58	65.10	92.08			2	2	7	114.596	2	1330 SERIES SPICER TO 3R SERIES MECHANICS
26.99 28.58	65.10	81.76 92.08			2	1 2	10	5.150X	2	1310 SERIES SPICER TO 3R SERIES SOME MANUFACTURERS ALSO 9" FORD DIFF.
26.99 28.58	66.67	81.76			2	1 2	7	401009	2	1310 SERIES SPICER TO 7290 SERIES DETROIT
26.99 28.58	66.68	92.08			2	1 2	7	5.355X	2	1330 SERIES SPICER TO 7290 DETROIT
26.99	46.04				4	2	1	RUJ1788	1	1200 SERIES P.T.O.
26.99	55.57				4	2	1	5.174X	NON	1310 SERIES - AXLE JOINT
26.99	55.57				4	2	1	5.260X	1	1310 SERIES - AXLE W/- SEALS
26.99	60.32	81.76			4	2	1	RUJ2027	2	1310 SER. & FORD CLEVELAND
27.00		70.00			4	1	2	802044	2	ELBE 408 AXLE
27.00		71.00			4	1	2	802048	NON	STAKED TRANSIT VW
27.00		80.00			4	1	2	802049	NON	STAKED - VW FORD JEEP
27.00		71.00			4	1	2	802058	NON	
27.00		71.00			4	1	2	802059	1	
27.00 32.00		94.00 76.00			2 2	1 1	2 6	802069	1	WALTERSCHEID W2480 WIDE ANGLE
27.00		85.00			4	1	2	802094	NON	HOLE IN CROSS SERVICE FREE
27.00		86.00			4	1	2	802095	NON	DOUBLE JOINT OFFSET
27.00		79.00			4	1	2	802805	NON	STAKED
27.00		81.80			4	1	2	802806	NON	STAKED FORD HYUNDAI
27.00		72.00			4	1	2	802811	NON	STAKED TRANSIT MERCEDES
27.00		80.00			4	1	2	902026	2	HYUNDAI
27.00		81.20			4	1	2	902028	3	TOYOTA PRADO DOUBLE CARDAN
27.00		74.00			4	1	2	902057	NON	STAKED SPRINTER
27.00		88.00			4	1	2	902061	NON	STAKED MERCEDES SPRINTER

DIA (C)	INT (W1)	EXT (W2)	Wing Type		Caps			Part #	Lube Type	Notes
			(D2)	(D3)	Q	T	F			
27.00		65.30			4	1	2	K5A561	3	MITSUBISHI
27.00		70.00			4	1	2	K5A590	1	WALTERSCHEID BYPY P.T.O.
27.00		74.50			4	1	2	K5A727	2	GWB 687.15/2015
27.00		85.50			2	1	2	K5A734	1	T40 WIDE ANGLE
27.00		91.20			2	1	2			
27.00		69.80			4	1	2	K5A767	NON	VW SYNCHRO
27.00		62.00			4	1	2	K5A843	NON	GREAT WALL FRONT
27.00	49.02				4	2	1	901012	3	NISSAN NAVARA
27.38	54.00				2	2	7	RUJ2029	Nil	21R SERIES MECHANICS TO 1310/9" FORD DIFF
28.58		81.76			2	2				
27.38	54.00				4	2	1	RUJ2038	2	21R SERIES - OTHER OPTIONS AVAILABLE
27.38	54.00				2	2	1	405002	2	21R SERIES TO 7290 DETROIT
28.58	66.70				2	2				
27.90	50.70				4	2	1	401007	2	STAKED - REPL: NISSAN
28.00		71.50			4	1	2	802005	1	
28.00		80.00			4	1	2	K5A522	1	DAIHATSU / NISSAN
28.00	51.60				4	2	1	K5A850	3	KIA SORENTO
28.00	53.00				4	2	1	U728	2	MERCEDES BENZ - OTHER OPTIONS AVAILABLE
28.00	55.96				4	2	5	RUJ2028	2	NISSAN
28.00	59.10				4	2	1	RUJ2023	2	MAZDA
28.50		70.90			4	1	2	802039	1	ELBE 109 - NEW STYLE
28.50		70.70			4	1	2	802077	1	ELBE 408
28.50		78.00			4	1	2	K5A562	1	MITSUBISHI
28.58		75.00			4	1	2	902062	NON	FORD NON LUBE
28.58		66.67			4	1	2	CPL14N	1	NEAPCO 2000 SERIES P.T.O.
28.58		77.90			4	1	2	K5A519	1	TOYOTA

DIA (C)	INT (W1)	EXT (W2)	Wing Type		Caps			Part #	Lube Type	Notes
			(D2)	(D3)	Q	T	F			
28.58 30.16		92.08 92.08			2 2	1 1	6	K5A541	2	9" FORD DIFF. TO 1350 SERIES SPICER
28.58	54.00				4	2	1	114.2501	3	25R JAP DOUBLE CARDAN
28.58	59.44				4	2	1	RUJ2500R	NON	25R SERIES MECHANICS NOT SUITABLE FOR 9"
28.58	59.44				4	2	1	RUJ2503	3	25R SERIES LUBE THRU CAP
28.58	65.10		36.52	69.85	2 2	2 3T	12	114.3102	2	3R MECHANICS SERIES TO 3C SERIES MECHANICS
28.58	65.10		36.52	69.85	2 2	2 4	12	114.3120	2	3R MECHANICS SERIES TO 3C SERIES MECHANICS
28.58 28.58	65.10 66.67				2 2	2 2	5	405001	NON	3R SERIES MECHANICS TO 7290 SERIES DETROIT
28.58	65.10				4	2	1	114.3105	2	3R SERIES MECHANICS / 5AG
28.58	66.67				4	2	1	114.232	2	7290 SERIES DETROIT
28.58	82.55		36.52	87.32	2 2	2 4	12	114.4109	1	4R TO 4C HWD
28.58	82.55				4	2	1	RUJ4000	2	4R MECHANICS SERIES
28.58	82.55		36.52	87.32	2	3D	12	RUJ4002	2	COUNTERSUNK
28.58	82.55		36.52	87.32	2 2	2 3T	12	RUJ4005	2	4R SERIES MECHANICS TO 4C SERIES MECHANICS
28.58	82.55		42.85	88.90	2 2	1 4	12	RUJ4012	2	4R/5C MITSUBISHI FORKLIFT
28.60		74.60			4	1	2	802035		
28.60		74.60			4	1	2	K5A774	NON	FIAT 130
29.00		80.00			4	1	2	802032	1	AGRICULTURAL
29.00		75.40			4	1	2	902064		VAUXHALL
29.00		76.60			4	1	2	K5A842	2	GREAT WALL & TUNLAND REAR PSA
29.00	51.90				4	2	1	902063	NON	VAUXHALL SERVICE FREE
29.00	52.00				4	2	1	RUJ2100.1A	3	TOYOTA
29.00	52.00				4	2	1	RUJ2109	1	TOYOTA
29.00	53.10				4	2	1	RUJ2033	2	ISUZU

DIA (C)	INT (W1)	EXT (W2)	Wing Type		Caps			Part #	Lube Type	Notes
			(D2)	(D3)	Q	T	F			
29.00	72.00				4	2	1	901013	2	RODEO/COLORADO, D-MAX, TRITON
30.00		83.00			4	1	2	802006	1	ELBE 110 SERIES
30.00		83.00			4	1	2	802006.011R	4	ELBE 110/408 STEER CENTER YOKE LUBE THROUGH PORT IN CAP
30.00		79.00			4	1	2	802042	3	STEERING AXLE - OFFSET
30.00		82.40			4	12	2	802078	1	CENTRE LUBE
30.00		88.00			4	1	2	802080	1	
30.00		96.00			4	1	2	802081	NON	DIN SERVICE FREE
30.00		92.00			4	1	2	802808	Non	STAKED TRANSIT
30.00		106.20			4	1	2	802809	NON	STAKED IVECO
30.00		78.20			4	1	2	K5A585	1	MINI COOPER
30.00		96.00			4	1	2	K5A815		GWB 369.10 AXLE OFFSET
30.00		81.70			4	1	2	U742	1	GWB 287.10 SERIES
30.00	46.00				4	2	1	K5A795	NON	
30.00	58.25				4	2	1	901002	1	MINI COOPER
30.00	60.00				4	2	1	RUJ3012	1	AGI
30.00	74.00				4	2	1	901014	1	PAJERO
30.16		106.35			4	1	2	5.160X	2	SPICER 1410 SEREIS GENUINE
30.16		92.08			4	1	2	5.178X	2	SPICER 1350 SERIES - OTHER LUBE OPTIONS AVAILABLE (SPL30)
30.16		106.35	36.52	87.32	2	1	8	5.345X	2	1410 SERIES SPICER TO 4C SERIES MECHANICS
30.16		106.35	36.52	87.32	2	1	8	5.346X	2	1410 SERIES SPICER TO 4C SERIES MECHANICS
30.16		92.08			4	1	2	5.627X	NON	1350 SOLID CROSS
30.16		92.08			4	1	2	K5A18R	1	1350 SERIES AGI
30.16		106.35			4	1	2	K5A536	1	1410 SERIES AGI/PTO

DIA (C)	INT (W1)	EXT (W2)	Wing Type		Caps			Part #	Lube Type	Notes
			(D2)	(D3)	Q	T	F			
30.16		92.08			2	1	2	K5A819	NON	SPICER 1350/1410 COMBINATION
30.16		106.30			2	1	2			
30.16		106.35			4	1	2	K5GB10R	2	1410/SPL36
30.16		92.08			2	1	7	901078	3	SPICER 1350/LANDCRUISER COMBINATION
32.00	63.85				2	2	7			
30.16		106.35			2	1	7	5.357X	2	1410 SERIES SPICER TO 5380 SERIES DETROIT
31.35	76.20				2	2				
30.16	55.57				4	2	1	5.297X	NON	1350 SERIES - AXLE JOINT
30.16	61.09				4	2	1	5.298X	NON	1350 SERIES JEEP AXLE
30.16	65.10	92.08			2	1	7	RUJ3001	2	1350 SERIES SPICER HAS VARIOUS COMBINATIONS
30.16	65.10	92.08			2	2				
30.16	79.37	106.35			2	1	1	RUJ4008	2	1410 SERIES SPICER (HAS VARIOUS COMBINATIONS)
30.20		81.80			4	1	2	802038	1	GWB 687.20/2020 SERIES - OTHER OPTIONS AVAILABLE
30.20		99.40			4	1	2	802064	1	BYPY 6 SERIES WIDE ANGLE
30.20		86.70			4	1	2	902066	1	
30.20		90.00			4	1	2	902067	1	LAMBORGHINI
30.20		80.00			4	1	2	K5A591	1	BYPY P.T.O
30.20		95.35			2	1	2	K5A735	1	T60 WIDE ANGLE
30.20		101.40			2	1	2			
30.20		82.00			4	1	2	K5A816	NON	B320 WHEEL JOINT
30.22		106.35			4	1	2	K5A536.A700	1	1410 SERIES AGI WITH 30.22 CAP SUIT BARE CO. TRI TUBE SHAFT
31.00		88.20			4	1	2	902068	NON	STAKED MERCEDES GREASABLE VERSION ALSO AVAILABLE
31.00		110.00			4	1	2	902069	1	MERCEDES
31.02	44.10				4	2	5	902071	NON	FORD SERVICE FREE
31.35	76.20				4	2	1	RUJ4007	2	5380 SERIES DETROIT
31.75		104.00			4	1	2	402001	3	NEAPCO 2200/N44
31.75		81.36			4	1	2	CP35N	1	NEAPCO 2200
31.75		102.00			4	1	2	K5A563	1	MITSUBISHI

DIA (C)	INT (W1)	EXT (W2)	Wing Type		Caps			Part #	Lube Type	Notes
			(D2)	(D3)	Q	T	F			
32.00		86.00			4	1	2	802027	2	FORD TRACTOR
32.00		95.60			4	1	2	802031		SCHINDLER TRACTOR
32.00		106.00			2	1	2	802070		WALTERSCHEID W2580 WIDE ANGLE
36.00		89.00			2	1	6			
32.00		106.30			4	1	2	902072	2	FIAT
32.00		107.00			4	1	8	K5A564	2	NISSAN
32.00		76.00			4	1	2	K5A592	1	WALTERSCHEID
32.00	59.95				4	2	1	RUJ3003	1	MAZDA
32.00	64.00				4	2	1	RUJ2041	2	TOYOTA
32.00	68.20				4	2	1	901003	1	NISSAN PATROL 1988-
32.00	87.00				4	2	1	901015	2	FURUKAWA
32.00	87.00		42.85	88.90	2	4	12	912004	2	KOMATSU / FURUKAWA (32X87 - 5C)
					2	4				
33.00		93.00			4	1	2	902013	1	ISUZU FOTON
33.00		103.00			4	1	2	K5A841	1	ISUZU
33.35	70.64				4	2	1	CP44R	2	ROCKWELL P.T.O. / 44N
33.35	84.15				4	2	1	114.5109	2	5R SERIES MECHANICS
33.35	84.15		42.85	88.90	2	2	12	114.5110	2	5R SERIES MECHANICS TO 5C SERIES MECHANICS
					2	3D				
33.35	84.15		42.85	88.90	2	2	12	114.5132	2	5R SERIES MECHANICS TO 5C SERIES MECHANICS
					2	3T				
33.35	84.15		42.85	88.90	2	2	12	114.5154	2	5R SERIES MECHANICS TO 5C SERIES MECHANICS
					2	4				
33.35	109.50		42.85	114.30	2	2	12	114.6107	2	6R SERIES MECHANICS TO 6C SERIES MECHANICS
					2	3T				
33.35	109.50				4	2	1	114.6135	2	6R SERIES MECHANICS
33.35	109.50		42.85	114.30	2	2	12	114.6150	2	6R SERIES MECHANICS TO 6C SERIES MECHANICS
					2	4				
34.00		97.00			4	1	2	802007	1	ELBE 112 - OLD STYLE
34.00		96.00			4	1	2	802020	4	AXLE - OFFSET TRUNNIONS

DIA (C)	INT (W1)	EXT (W2)	Wing Type		Caps			Part #	Lube Type	Notes
			(D2)	(D3)	Q	T	F			
34.00		106.50			4	1	2	802028	1	AGRICULTURAL
34.00		89.00			4	1	2	802045	1	MERCEDES BENZ
34.00		105.60			4	1	2	802083	4	DOUBLE JOINT LUBE THRU SIDE OF CAP
34.00		107.00			4	1	2	U188	2	
34.00	51.00				4	2	1	902073	1	DIN CENTRE LUBE
34.00	56.00				4	2	1	RUJ3004	1	WALTERSCHEID
34.90		92.00			4	1	2	K5A729	1	GWB 687.25/2025 COMPACT
34.93		126.20			4	1	2	5.155X	2	1550/SPL70
34.93		106.38			4	1	2	5.188X	2	1480/SPL55
34.93		126.20	42.85	114.30	2	1	8	5.220X	2	1550 SERIES SPICER TO 6C SERIES MECHANICS
34.93		126.20	42.85	114.30	2	1	8	5.221X	2	1550 SERIES SPICER TO 6C SERIES MECHANICS
34.93		126.20	49.21	107.50	2	1	8	5.328X	2	1550 SERIES SPICER TO CP58WB SERIES
34.93		106.38	42.85	88.90	2	1	8	5.347X	2	1480 SERIES SPICER TO 5C SERIES MECHANICS
34.93		106.38	42.85	88.90	2	1	8	5.348X	2	1480 SERIES SPICER TO 5C SERIES MECHANICS
34.93		126.20	49.21	107.50	2	1	8	5.693X	2	1550 SERIES SPICER TO CP58WB
34.93		106.38			2	1	6	902023	1	1480 - ISUZU
35.00		104.00			2	1				
34.93		106.38			4	1	2	K5A538	1	1480 SERIES P.T.O.
34.93		106.38			4	1	2	K5A730	2	
34.93		106.30			2	1	2	K5A765	1	T80 PTO WIDE ANGLE
34.93		113.80								
34.93	74.17				4	2	5	K5A808	NON	1485 AXLE JOINT
34.93	76.20				4	2	1	5.88X	2	1480 SERIES - AXLE JOINT
34.93	94.03				4	2	1	5.1557X	2	DODGE RAM WHEEL JOINT
35.00		96.00			4	1	2	802025	4	OFFSET STEERING - AXLE

DIA (C)	INT (W1)	EXT (W2)	Wing Type		Caps			Part #	Lube Type	Notes
			(D2)	(D3)	Q	T	F			
35.00		87.00			4	1	2	802034	4	ELBE - OFFSET STEERING
35.00		97.00			4	1	2	802040	1	ELBE 112 CENTRE LUBE
35.00		94.00			4	1	2	802061	1	BYPY NEW 7 SERIES
35.00		106.00			4	1	2	802065	1	BYPY 8 SERIES W/ANGLE
35.00		96.50			4	1	2	802084	4	DOUBLE JOINT OFFSET
35.00		110.70			4	1	2	802085	NON	DIN U.JOINT SERVICE FREE
35.00		99.00			4	1	2	K5A566	1	HINO
35.00		104.00			4	1	2	K5A567	1	ISUZU
35.00		96.80			4	1	2	U743	1	GWB 587.10
35.00	148.40		50.00	156.40	2 2	2 4	12 12	RUJ7003	3	KOMATSU HOLE IN CROSS
35.50		119.00			4	1	2	K5A568	2	NISSAN
36.00		115.60			4	1	2	902015	1	HINO
36.00		97.00			4	8	11	K5A523	1	ISUZU
36.00		104.00			4	1	2	K5A569	1	MITSUBISHI
36.00		110.35			4	1	2	K5A571	2	HINO
36.00		89.00			4	1	2	K5A593	1	WALTERSCHEID
37.00	71.00				4	2	1	RUJ4009	1	MAZDA
38.00		89.20			4	1	2	802008	NON	MERCEDES BENZ
38.00		148.00			4	1	2	802009	1	SCANIA - STRAIGHT BRACKETS
38.00		106.00			4	1	2	802022	1	ELBE CENTRE LUBE - OTHER OPTIONS AVAILABLE
38.00		102.00			4	1	2	802026		369.30 G.W.B OFFSET CROSS
38.00		119.00								
38.00		104.00			4	1	2	802030	3	469.30 SERIES - AXLE OFFSET
38.00		107.00			4	1	2	802033	NON	ELBE - OFFSET STEERING

DIA (C)	INT (W1)	EXT (W2)	Wing Type		Caps			Part #	Lube Type	Notes
			(D2)	(D3)	Q	T	F			
38.00		106.00	42.85	114.30	2	1	8	802086	3	ELBE 113/6C COMBINATION
38.00		106.00	42.85	88.90	2	1	8	802087	3	ELBE 113/5C COMBINATION
38.00		104.00			4	1	2	K5A572	1	MINITRACK
38.00		119.00			4	1	2	K5A638	NON	GWB 369.30 OFFSET
38.00		104.50			4	1	2	K5A781	1	UNIMOG
38.00		110.00			4	1	2	U752	2	MERCEDES
38.00		112.00			4	1	2	U764	2	
38.00	62.00				4	2	1	U730	1	MERCEDES BENZ
38.89		109.60			4	1	2	CP55N	2	NEAPCO 55N SERIES P.T.O.
39.00		118.00			4	1	2	902031	2	CHINESE BUS
39.00		116.40			4	1	2	K5A632	2	FIAT
39.00		127.00			4	1	2	U385	1	
39.70		115.90			4	1	2	K5A725	2	1630 SERIES (HD 1510)
39.70		115.90			4	5	3	K5GB15R	2	1500 SERIES SPICER
39.70		115.90			4	1	2	K5GB22R	2	1510 SERIES SPICER
40.00		115.50			4	1	2	902016	1	USE K5A639
40.00		111.00			4	1	2	902019		MINITRACK
40.00		118.00			4	8	3	K5A573	2	TOYOTA
40.00		115.00			4	1	2	K5A639	1	ISUZU / HINO EXTRA CIRCLIPS INCLUDED
40.00		104.50			4	1	2	K5A823	4	DJ OFFSET GWB 569.32 STEER AXLE
40.00	169.30		50.00	180.00	2	2	12	912001	3	KOMATSU - WITH HOLE IN CROSS
41.00		108.00			4	1	2	802062	1	BYPY 9 SERIES
41.00		118.00			4	1	2	K5A594	1	BYPY 10 SERIES

DIA (C)	INT (W1)	EXT (W2)	Wing Type		Caps			Part #	Lube Type	Notes
			(D2)	(D3)	Q	T	F			
41.00	111.20		49.21	117.60	2 2	2 4	12	912003	2	FURUKAWA & KOMATSU
41.28		142.00			4	1	2	5.165X	2	1650 SERIES SPICER
41.28		142.00	49.20	117.60	2 2	1 4	8	5.330X	2	1650 SERIES SPICER TO 7C SERIES MECHANICS
41.28		142.00	49.21	117.60	2 2	1 3T	8	5.331X	2	1650 SERIES SPICER TP 7C SERIES MECHANICS
41.28		128.63			4	1	2	CP750N	1	
41.28		126.00			4	1	2	SPL90X	2	SPL90 SPICER
41.28	110.80		49.21	117.60	2 2	2 4	12	114.7000RHWD	2	7R SERIES MECHANICS TO 7C HWD SERIES J.C.B.
41.28	110.80				4	2	1	114.7294	2	7R SERIES MECHANICS
41.28	167.90		49.21	174.63	2 2	2 4	12	114.8014	2	8R SERIES MECHANICS TO 8C HWD SERIES MECHANICS
42.00		123.00			4	1	2	802011	1	ELBE 115
42.00		117.50			4	1	2	802051	1	ELBE 148 SERIES
42.00		119.40			4	1	2	802054	1	GWB 687.35/2035
42.00		110.00			4	1	2	802056	4	OFF SET STRG
42.00		106.00			4	1	2	802057	1	MERCEDES ATEGO
42.00		115.00			4	1	2	902017	1	ISUZU
42.00		125.00			4	8	11	K5A574	1	ISUZU
42.00		104.00			4	1	2	K5A595	1	WALTERSCHEID
42.00		104.50			4	1	2	K5A622	1	GWB 587.15
42.00	72.00				4	2	1	U747	1	MERCEDES BENZ
43.00		136.00			4	8	11	K5A547	1	NISSAN
43.00		128.00			4	1	2	K5A575	1	NISSAN
44.00		129.00			4	1	2	902022	1	MITSUBISHI
44.00		126.00			4	1	2	902030	1	HINO

DIA (C)	INT (W1)	EXT (W2)	Wing Type		Caps			Part #	Lube Type	Notes
			(D2)	(D3)	Q	T	F			
44.00		129.00			4	1	8	K5A576	1	mitsubishi
44.00		131.00			4	1	2	K5A784	1	mitsubishi
44.00		126.20			4	1	3	U380	1	VOLVO - 1600 SERIES 3 BOLTS
44.00		149.00			4	1	2	U384	2	SCANIA - T60 SERIES
44.00		124.80			4	1	2	U746	1	287.30 SERIES G.W.B.
44.00	84.00				4	2	1	U737	1	MERCEDES BENZ
44.03	120.00				4	2	1	K5A832	2	FOTON
45.00		131.00			4	1	2	802012	1	ELBE 116
45.00		124.80			4	1	2	802021	1	VOLVO 3 BOLT
45.00		125.00			4	1	2	802046	4	OFFSET AXLE JOINT
45.00		126.00			4	1	2	802073	3	SUIT SWC150 SHAFT
45.00		152.00			4	1	2	802089	4	ELBE 118 LUBE THRU SIDE OF CAP
45.00		152.00			4	1	2	K5A605	1	ELBE 118 SERIES
45.00		120.40			4	1	2	U753	1	MERCEDES BENZ
45.50		120.00			4	1	2	802090	NON	DOUBLE JOINT OFFSET
45.50		114.10			4	1	2	802091	NON	WHEEL JOINT OFFSET
46.00		136.00			4	8	11	K5A577	1	ISUZU
46.00		142.00			4	8	11	K5A578	1	mitsubishi
46.00		148.00			4	8	11	K5A586	1	mitsubishi
47.00		142.00			4	1	2	802050		369.40 GWB SERIES
47.00		130.00			4	8	11	903004	1	HINO
47.00		124.00			4	8	11	K5A579	1	HINO
47.00		138.00			4	8	14	K5A580	1	HINO

DIA (C)	INT (W1)	EXT (W2)	Wing Type		Caps			Part #	Lube Type	Notes
			(D2)	(D3)	Q	T	F			
47.00		144.10			4	8	14	K5A581	1	HINO
47.00		140.00			4	1	2	K5A827	2	CHINESE BUS/TRUCK
47.00		131.00			4	1	2	U810	1	
47.60		134.80	68.00	111.00	2	1	8	802071	2	RENAULT COMBINATION ROUND/HWD
47.63		134.94			4	5	3	5.279X	2	1610 SERIES SPICER
47.63		134.94			2	5	3	5.674X	2	1610 SERIES SPICER TO 1610 - HALF RND W/- STRAPS
47.63		134.94			2	1				
47.63		135.17			4	1	2	802043	1	687.40/2040 SERIES G.W.B.
48.00		131.20			4	1	2	802013	1	KEMPF
48.00		161.00			4	1	2	802015	1	SCANIA - LESS BLOCKS
48.00		161.00			4	1	2	802016	2	SCANIA P40 T61 4.5 DEGREE BLOCK
48.00		145.00			4	8	11	K5A582	1	ISUZU
48.00		135.40			4	1	2	K5A793	1	IVECO/KLEIN
48.00		126.00			4	1	2	U765	1	MERCEDES - OTHER LUBE OPTIONS AVAILABLE
48.00		116.50			4	1	2	U767	1	587.20 SERIES G.W.B.
49.00		135.00			4	1	2	802060		BYPY 12 SERIES
49.00		135.00			4	5	3	803001	2	FIAT
49.00		155.00			4	8	3	U501	2	FIAT
49.20		154.95			4	1	2	K5A779	1	GWB 687.50/2050
49.20		138.71			4	1	2	SPL140X	1	
49.21		194.00	71.44	168.30	2	2	8	114.901810	2	SPICER 1810 HR TO 9C MECHANICS
49.21		154.78			2	5	3	403001	2	1710 SERIES SPICER TO CP7N SERIES
50.80		150.83			2	8				
49.21		154.78			4	5	3	5.280X	2	1710 SERIES SPICER
49.21		191.69			4	5	3	5.281X	2	1810 SERIES SPICER

DIA (C)	INT (W1)	EXT (W2)	Wing Type		Caps			Part #	Lube Type	Notes
			(D2)	(D3)	Q	T	F			
49.21		191.69	71.44	168.30	2 2	5 4	9	5.324X	2	1810 SERIES SPICER TO 9C SERIES MECHANICS
49.21		177.80			4	5	3	5.407X	2	1760 SERIES SPICER
49.21		154.78			2	5	3	5.675X	2	1710 SERIES SPICER TO 1710 - HALF RND W/- STRAPS
49.21		157.08			2	1				
49.21		191.69			2	5	3	5.676X		1810 - HALF RND W/- STRAPS
49.21		194.00			2	1				
49.21		177.80			2	5	3	5.677X	2	1760 SERIES SPICER TO 1760 SERIES - HALF ROUND
49.21		180.10			2	1				
49.21		150.72			4	1	2	CP850N	1	
49.25		154.93			4	1	2	K5A779		GWB 687.50/2050 COMPACT
50.00		118.00			4	1	2	802066	1	WALTERSCHEID 2700
50.00		134.00			4	1	2	802093		DOUBLE JOINT OFFSET
50.00		165.00			4	8	11	903003	2	HINO
50.00		155.00			4	8	11	903006	1	ISUZU
50.00		159.00			4	8	11	K5A583	2	HINO
50.00		152.60			4	1	3	U381	1	VOLVO - 1700 SERIES 3 BOLTS
50.00		164.00			4	1	2	U386	2	SCANIA T70 SERIES
50.00		153.00			4	1	2	U739	1	
50.00		131.00			4	1	2	U811	1	
52.00		147.20			4	1	2	802029	1	687.45 SERIES G.W.B.
52.00		160.00			4	8	2	903001	1	MITSUBISHI
52.00		170.00			4	8	3	903005		MITSUBISHI
52.00		154.00			4	8	3	K5A584	1	MITSUBISHI
52.00		133.00			4	1	2	U756	1	GWB 587.30
52.35		174.75	71.40	134.50	2 2	1 6	8	CP20RPLS	NON	MERITOR 20RPL SERIES SERVICE FREE
52.35		208.28	71.40	168.50	2 2	1 6	8	CP25RPLS	NON	MERITOR 25RPL SERIES SERVICE FREE

DIA (C)	INT (W1)	EXT (W2)	Wing Type		Caps			Part #	Lube Type	Notes
			(D2)	(D3)	Q	T	F			
53.00		135.00			4	1	2	U761	1	ELBE 117 / MERCEDES BENZ
53.50		155.00			4	8	11	903009	1	ISUZU
55.00		169.00			4	8	11	903002	1	ISUZU
55.00		164.00			4	8	11	K5A548	1	U.D. NISSAN
55.00		164.00			4	1	2	SPL170X	1	SPL170
55.00		164.00			4	1	2	U812	2	
55.55		205.59			4	1	2	5.185X	2	1850 SERIES SPICER
55.55		205.59	71.44	168.30	2	1	8	5.186X	2	1850 SERIES SPICER TO 9C SERIES MECHANICS
					2	4				
55.55		205.59	71.44	168.30	2	1	8	5.187X	2	1850 SERIES SPICER TO 9C SERIES MECHANICS
					2	3T				
55.55		205.59			4	5	3	5.308X	2	1880 SERIES SPICER
55.55		205.59	71.44	168.30	2	5	9	5.326X	2	1880 SERIES SPICER TO 9C SERIES MECHANICS
					2	4				
55.55		205.59	71.44	168.30	2	5	9	5.327X	2	1880 SERIES SPICER TO 9C SERIES MECHANICS
					2	3T				
57.00		164.00			4	1	2	802017	1	SCANIA - STRAIGHT BRACKETS
57.00		164.00			4	1	2	802018	1	SCANIA - LESS BRACKETS
57.00		164.00			4	1	2	802019	1	SCANIA P500 4.5 DEGREE BRACKET
57.00		164.00			4	1	2	802079	1	SCANIA 4.5 DEG. BRACKET WITH THREADED HOLES
57.00		152.60			4	1	3	803002	1	VOLVO - 1800 SERIES 3 BOLTS
57.00		152.00			2	1	8	K5A768	1	GWB 587.42(687.55)/SCANIA P500 COMBINATION
57.00		164.00			2					
57.00		172.00			4	1	2	K5A833	1	IVECO/KLEIN 680 SERIES
57.00		152.00			4	1	2	U763	1	587.42/687.55/2055 SERIES G.W.B. - OTHER OPTIONS AVAILABLE
57.00		144.00			4	1	2	U813	1	587.36 SERIES GWB
58.00		175.00			4	8	11	903008	1	HINO
59.00		167.40			4	1	2	802041	2	VOLVO - 687.60 SERIES G.W.B

DIA (C)	INT (W1)	EXT (W2)	Wing Type		Caps			Part #	Lube Type	Notes
			(D2)	(D3)	Q	T	F			
59.10		167.49			4	5	3	5.124X	2	1800 SERIES SPICER
60.00		180.00			4	1	2	802052	1	EUROPEAN
60.00		165.00			4	8	11	903010	2	ISUZU
60.00		170.00			4	8	11	K5A630	2	FIAT - TRUCK
60.00		163.00			4	1	2	SPL250X	1	SPL250
63.50		178.00			4	8	11	903007	1	NISSAN - UD
63.53		196.14			4	1	2	CP950N	1	950N SERIES
65.00		172.00			2	1	2	801004		587.48/P60 SCANIA COMBINATION
65.00		190.00			2	1	2			
65.00		190.00			4	1	2	802036	1	SCANIA P60 SERIES
65.00		172.00			4	1	2	K5A643	1	587.48/687.65/2065 SERIES G.W.B.- OTHER OPTIONS AVAILABLE
65.00		157.00			4	1	2	U3180	1&3	VOITH
65.00	144.00				4	7	5	5.316X	2	1910 SERIES SPICER / 190.50 SERIES GWB - PLEASE CHECK PART#
68.00	95.00				4	2	1	801001	1	ACTROSS 385.60 SERIES 89.00MM BETWEEN CIRCLIPS
68.00	123.00				4	1	1	801002	1	ACTROSS 385.68 SERIES 117.00MM BETWEEN CIRCLIPS
71.43		223.04			4	8	3	5.54X	2	1900 SERIES SPICER - 4 BOLTS
72.00		185.00			4	1	2	K5A625	1	587.50 SERIES G.W.B. - OTHER OPTIONS AVAILABLE
74.00		217.00			4	1	2	K5A708	1	587.55 SERIES G.W.B.
74.00		176.00			4	1	2	K5A789	1	VOITH MT225.8
74.00		185.00			4	1	2	U3208	1	VOITH ST250.8/WT225.8
74.00		195.00			4	1	2	U3225	1	KEMPF 104/106 SERIES
74.00	129.00				4	2	1	5.370X	1	292.50 SERIES G.W.B.
74.00	154.00				4	7	5	K5A626	2	190.55 SERIES G.W.B.
77.80		255.19			4	1	2	5.339X	2	1950 SERIES SPICER

DIA (C)	INT (W1)	EXT (W2)	Wing Type		Caps			Part #	Lube Type	Notes
			(D2)	(D3)	Q	T	F			
83.00		231.40			4	1	2	K5A826	1	GWB 587.60 SERIES
83.00		220.00			4	1	2	U3250	1	VOITH
83.00	129.00				4	7	5	K5A714	1/3	GWB 390.60 SERIES
83.00	139.00				4	7	5	5.371X	1	2010 SERIES SPICER
83.00	175.00				4	7	5	K5A627	2	190.60 SERIES G.W.B.
95.00		250.00			4	1	2	U3285	1	VOITH.
95.00	139.00				4	7	5	K5A715	1	390.65 SERIES G.W.B.
95.00	160.00				4	7	5	5.372X	2	292.60 SERIES G.W.B.
95.00	190.00				4	7	5	K5A628	2	190.65 SERIES G.W.B.
100.00		214.00			4	1	2	802072	3	285 INDUSTRIAL
110.00		251.50			4	1	2	K5A818	1	VOITH 3T315.8 SERIES
110.00		275.00			4	1	2	U3315		VOITH
110.00	160.00				4	7	5	K5A716	1/3	GWB 390.70 SERIES
110.00	176.00				4	7	5	K5A711	1/3	GWB 292.65/392.65 SERIES
110.00	210.00				4	7	5	K5A629	2	190.70 SERIES G.W.B.
120.00	176.00				4	7	5	K5A717	1	390.75 SERIES G.W.B.
120.00	196.00				4	7	5	K5A718	1	GWB 392.70
120.00	235.00				4	7	5	5.368X	2	190.75 SERIES G.W.B.
130.00		301.60			4	1	2	U3350		VOITH
130.00	196.00				4	7	5	K5A719		GWB 390.80
130.00	216.00				4	7	5	K5A790		GWB 392.75
130.00	262.00				4	7	5	5.369X	2	190.80 SERIES G.W.B.
145.00		344.50			4	1	2	U3390		VOITH

DIA (C)	INT (W1)	EXT (W2)	Wing Type		Caps			Part #	Lube Type	Notes
			(D2)	(D3)	Q	T	F			
154.00	250.00				4	7	5	K5A820		GWB 392.80
			33.34	59.53	4	3T	4	114.2110.1A	2&3	2C SERIES MECHANICS
			33.34	59.53	2	3T	4	114.2116	2	USE 114.2185
			33.34	59.53	2	3D				
			33.34	59.53	4	3D	4	114.2117	2	USE 114.2186
			33.34	59.53	2	3T	4	114.2185	3	2C SERIES MECHANICS
			33.34	59.53	2	3D				
			33.34	59.53	4	3D	4	114.2186	3	2C LWD WITH BOLTS
			36.52	69.85	4	3T	4	114.3100	2	3C SERIES MECHANICS
			36.52	69.85	4	3T	4	114.3100	2	3C MECHANICS
			36.52	87.32	2	3T	4	114.4110	2	4C SERIES MECHANICS
			36.52	87.32	2	4				
			36.52	69.85	2	3D	4	114.3101	2&3	3C SERIES MECHANICS COUNTERSUNK
			36.52	69.85	2	3T				
			36.52	69.85	4	3T	4	114.3103	2	3C MECHANICS DELTA WING
			36.52	69.85	2	3T	4	114.3121	2	3C SERIES MECHANICS LWT TO HWD
			36.52	69.85	2	4				
			36.52	69.85	4	4	4	114.3125	2	3C SERIES MECHANICS
			36.52	87.32	4	3T	4	114.4100	2	4C SERIES MECHANICS
			36.52	87.32	4	3D	4	114.4105	2	4C SERIES MECHANICS COUNTERSUNK
			36.52	87.32	4	4	4	114.4113	2	4C SERIES MECHANICS
			36.52	87.32	2	3D	4	114.4141	2	4C SERIES MECHANICS
			36.52	87.32	2	4				
			36.52	87.32	2	3T	4	RUJ4003	2	4C SERIES MECHANICS COUNTERSUNK
			36.52	87.32	2	3D				
			42.85	88.90	4	3T	4	114.5122	2	5C SERIES MECHANICS
			42.85	88.90	2	3T	4	114.5127	2	5C SERIES MECHANICS
			42.85	88.90	2	3D				
			42.85	88.90	2	3D	4	114.5139	2	5C HWD/LWD SIDE LUBE
			42.85	88.90	2	4D				
			42.85	88.90	4	3D	4	114.5148	2	5C SERIES MECHANICS
			42.85	88.90	2	3T	4	114.5173	2	5C SERIES MECHANICS
			42.85	88.90	2	4				

DIA (C)	INT (W1)	EXT (W2)	Wing Type		Caps			Part #	Lube Type	Notes
			(D2)	(D3)	Q	T	F			
			42.85	88.90	4	4	4	114.5177	2	5C SERIES MECHANICS
			42.85	114.30	2	3T	4	114.6103	2	6C SERIES MECHANICS
			42.85	114.30	2	3D				
			42.85	114.30	4	3D	4	114.6104	2	6C SERIES - COUNTERSUNK
			42.85	114.30	2	3T	4	114.6114	2	6C SERIES MECHANICS
			42.85	114.30	2	4				
			42.85	114.30	4	4	4	114.6128	2	6C SERIES MECHANICS
			42.85	114.30	4	3T	4	114.6143	2	6C SERIES MECHANICS
			42.85	114.30	2	3T	4	114.6162	2	6C SERIES MECHANICS TO 7C SERIES MECHANICS
			49.21	117.60	2	3T				
			42.85	114.30	2	3T	4	114.6163	2	6C SERIES MECHANICS TO 7C SERIES MECHANICS
			49.21	117.60	2	4				
			42.85	114.30	2	4	4	114.6163B	2	6C HWD/7C HWD COMBINATION
			49.21	117.60	2	4	4			
			42.85	114.30	2	4	4	114.6164	2	6C/7C MECHANICS COMBINATION
			49.21	117.60	2	3	4			
			42.85	114.30	2	4	4	114.6285	2	6C SERIES MECHANICS DOUBLE KEYED
			42.85	114.30	2	4				
			49.20	104.00	4	4	4	804001	2	EUROPEAN TRACTOR
			49.21	107.50	4	3T	4	CP58WB29	2	JOHN DEERE - SKIDDER
			49.21	107.50	2	3T	4	CP58WB37	2	JOHN DEERE - SKIDDER
			49.21	107.50	2	4				
			49.21	107.50	4	4	4	CP58WB38	2	JOHN DEERE - SKIDDER
			49.21	117.60	4	4	4	114.7126	2	7C SERIES MECHANICS
			49.21	117.60	4	3T	4	114.7205	2	7C SERIES MECHANICS
			49.21	117.60	2	3T	4	114.7206	2	7C SERIES MECHANICS COUNTERSUNK
			49.21	117.60	2	3D				
			49.21	117.60	2	3T	4	114.7207	2	7C SERIES MECHANICS WING - BLOCK
			49.21	117.60	2	4				
			49.21	117.60	4	3D	4	114.7208	2	7C SERIES - COUNTERSUNK
			49.21	117.60	2	3D	4	114.7209	2	7C SERIES MECHANICS COUNTERSUNK
			49.21	117.60	2	4				
			49.21	117.60	4	4D	4	114.7273	2	7C 4X LUBE IN CROSS
			49.21	174.63	4	4	4	114.8113	2	8C SERIES MECHANICS

DIA (C)	INT (W1)	EXT (W2)	Wing Type		Caps			Part #	Lube Type	Notes
			(D2)	(D3)	Q	T	F			
			49.21	174.63	4	3T	4	114.8205	2	8C SERIES MECHANICS
			49.21	174.63	2	3T	4	114.8206	2	8C SERIES MECHANICS COUNTERSUNK
			49.21	174.63	2	3D				
			49.21	174.63	2	3T	4	114.8207	2	8C SERIES MECHANICS
			49.21	174.63	2	4				
			49.21	174.63	4	3D	4	114.8208	2	8C SERIES MECHANICS
			50.00	115.00	4	3T	4	904001	2	ISUZU
			56.00	140.00	4	3T	4	904002	1	ISUZU
			60.00	104.00	4	4	4	904003	1	FURUKAWA
			60.00	159.00	4	3	4	904004		ISUZU
			61.98	125.22	4	4	4	404001	2	J170 TWIN DISC (LESS BOLTS)
			70.00	168.00	4	4	4	RUJ91110	2	MECH TYPE HWD WITH BOLTS
			71.44	123.83	2	3T	4	114.8508		8.5C SERIES MECHANICS
			71.44	123.83	2	4				
			71.44	123.83	4	3T	4	114.8514	2	8.5C SERIES MECHANICS
			71.44	123.83	4	4	4	114.8516	2	8.5C SERIES MECHANICS
			71.44	123.83	2	4D	4	114.8518	2	8.5C MECHANICS HWD LWD
			71.44	123.83	2	3D	4			
			71.44	123.83	4	3D	4	114.8520	2	8.5C MECHANICS LWD
			71.44	168.30	4	3T	4	114.9014	2	9C SERIES MECHANICS
			71.44	168.30	4	3D	4	114.9015	2	9C SERIES MECHANICS
			71.44	168.30	4	4	4	114.9016	2	9C SERIES MECHANICS
			71.44	168.30	2	3T	4	114.9017	2	9C SERIES MECHANICS WING- BLOCK
			71.44	168.30	2	4				
			71.44	168.30	2	3T	4	114.9026	2	9C SERIES MECHANICS
			71.44	168.30	2	3D				
			71.44	168.30	4	4D	4	114.9500	2	J310 TWIN DISC HWD JOINT LENGTH 0.250" LONGER THAN STD 9C
			82.00	198.00	4	4	4	114.11500.X	2	11.5C MECHANICS LESS BOLTS. IMPERIAL & METRIC BOLTS AVAILABLE
			88.90	172.72	2	4	4	114.10033	2	J490 TWIN DISC TO 10C MECHANICS .625" BOLTS. IMPERIAL & METRIC BOLTS AVAILABLE
			92.07	165.10	2	4				

DIA (C)	INT (W1)	EXT (W2)	Wing Type		Caps			Part #	Lube Type	Notes
			(D2)	(D3)	Q	T	F			
			88.90	172.72	4	4	4	114.10500	2	10.5C/J490 TWIN DISC LESS BOLTS. IMPERIAL & METRIC BOLTS AVAILABLE
			88.90	172.72	4	4	4	114.11002.X	2	J600 TWIN DISC LESS BOLTS 15C.73.73405 KOMATSU/11C MECHANICS. IMPERIAL & METRIC BOLTS
			92.00	227.00	4	4	4	114.12500	2	TEREX MECHANICS
			92.07	165.10	4	4	4	114.10011.X	2	10C MECHANICS LESS BOLTS. IMPERIAL & METRIC BOLTS AVAILABLE
			92.20	241.30	4	4	4	114.12002.X	2	12C MECHANICS LESS BOLTS 12C.73.76957
			99.97	199.95	4	4	4	114.15002.X	2	15C/J800 TWIN DISC LESS BOLTS. IMPERIAL & METRIC BOLTS AVAILABLE
			99.97	199.95	4	4	4	114.15500LFL.X	2	15.5C MECHANICS LESS BOLTS. IMPERIAL & METRIC BOLTS AVAILABLE.
			107.00	252.00	4	4	4	114.14500.X	2	14.5C MECHANICS LESS BOLTS 14.5C.73.2215105
			117.60	277.10	4	4	4	114.20000LFL.X	2	20C MECHANICS LFL LESS BOLTS 20C.73.2430140
			134.88	269.50	4	4	4	114.14000.X	2	14C MECHANICS LESS BOLTS 14C.73.76000



CONTACT US

Head Office: 56 Colebard Street East Acacia Ridge,
Queensland 4110, Australia

**THE DRIVELINE GROUP IS A NATIONAL NETWORK OF
OVER 100 STAFF AND TWELVE FULLY EQUIPPED BRANCHES.**

**BRISBANE | BROKEN HILL | TASMANIA | DUBBO | MACKAY
MELBOURNE | NEWCASTLE | PERTH | SYDNEY | TOWNSVILLE**